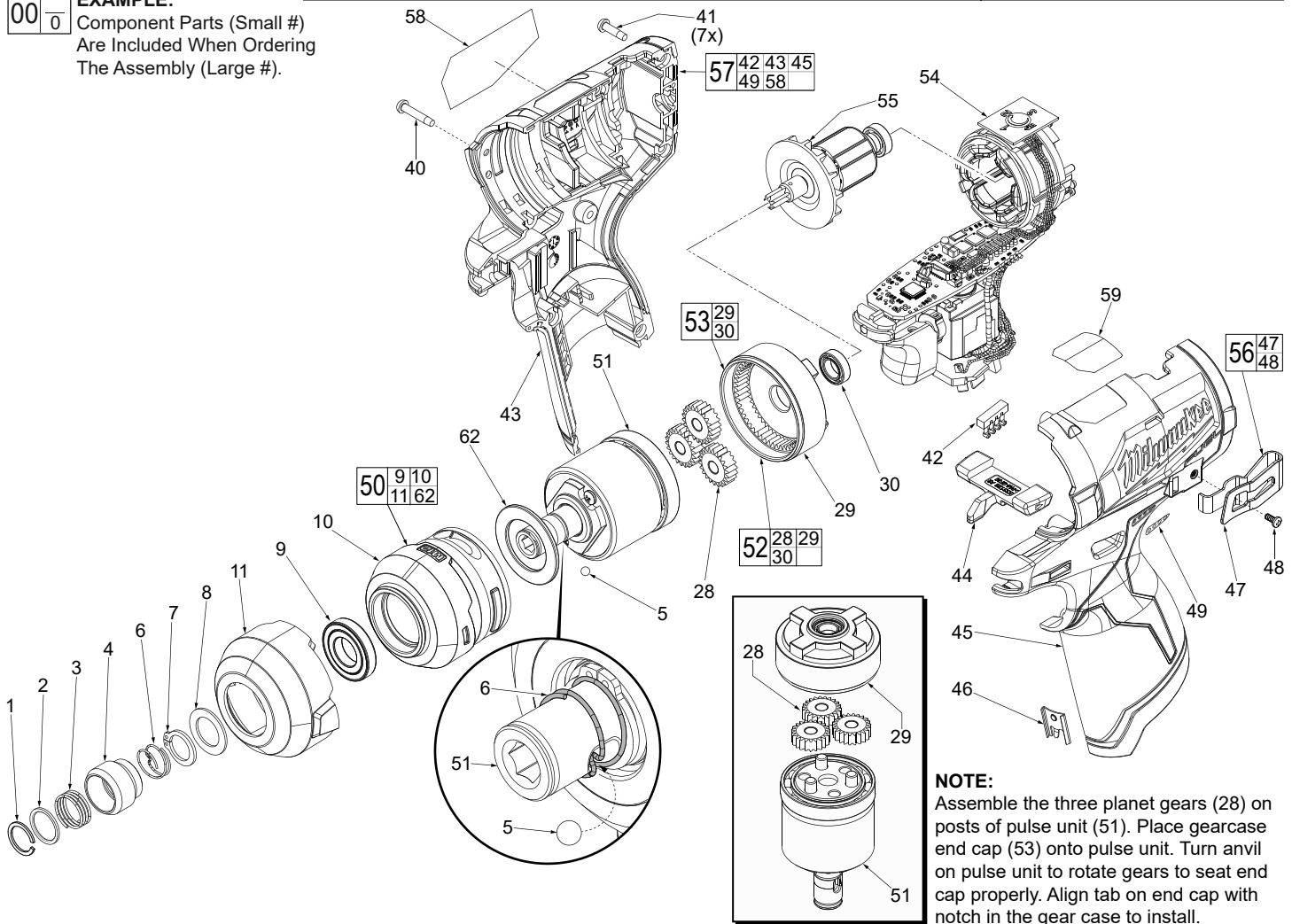




# SERVICE PARTS LIST

| SPECIFY CATALOG NO. AND SERIAL NO. WHEN ORDERING PARTS |                  | REVISED BULLETIN | DATE                      |
|--|------------------|------------------|---------------------------|
| <b>M12™ FUEL™ SURGE™ 1/4" Hex Impact Driver</b>        |                  |                  | Nov. 2018                 |
| <b>MODEL NO.</b>                                       | <b>M12FQID-0</b> | <b>2551-20</b>   | <b>WIRING INSTRUCTION</b> |
|  |                  |                  | <b>SEE PAGE 2</b>         |

**EXAMPLE:**  
 00 0 Component Parts (Small #)  
 Are Included When Ordering  
 The Assembly (Large #).

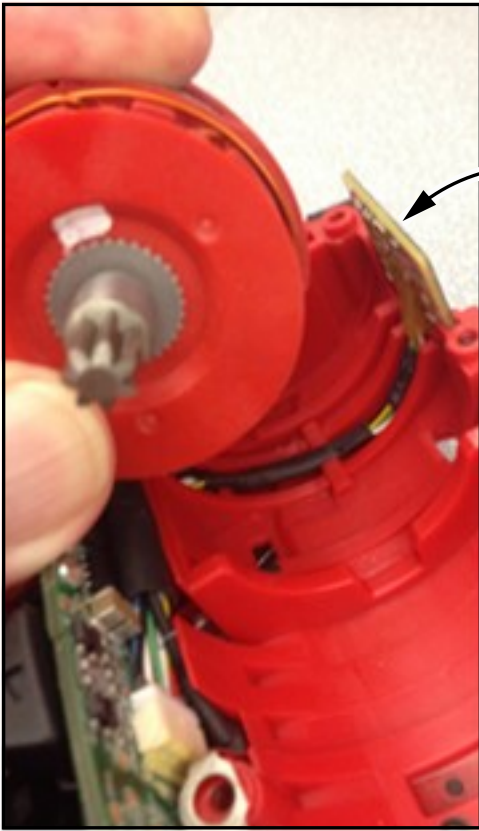


**NOTE:**  
 Assemble the three planet gears (28) on posts of pulse unit (51). Place gearcase end cap (53) onto pulse unit. Turn anvil on pulse unit to rotate gears to seat end cap properly. Align tab on end cap with notch in the gear case to install.

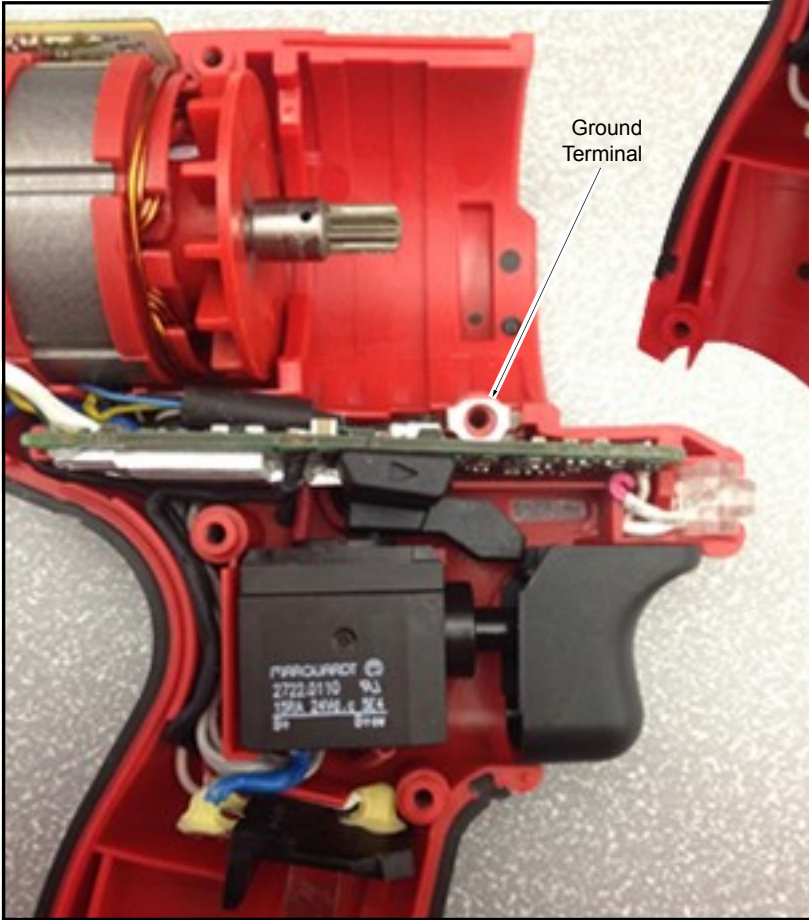
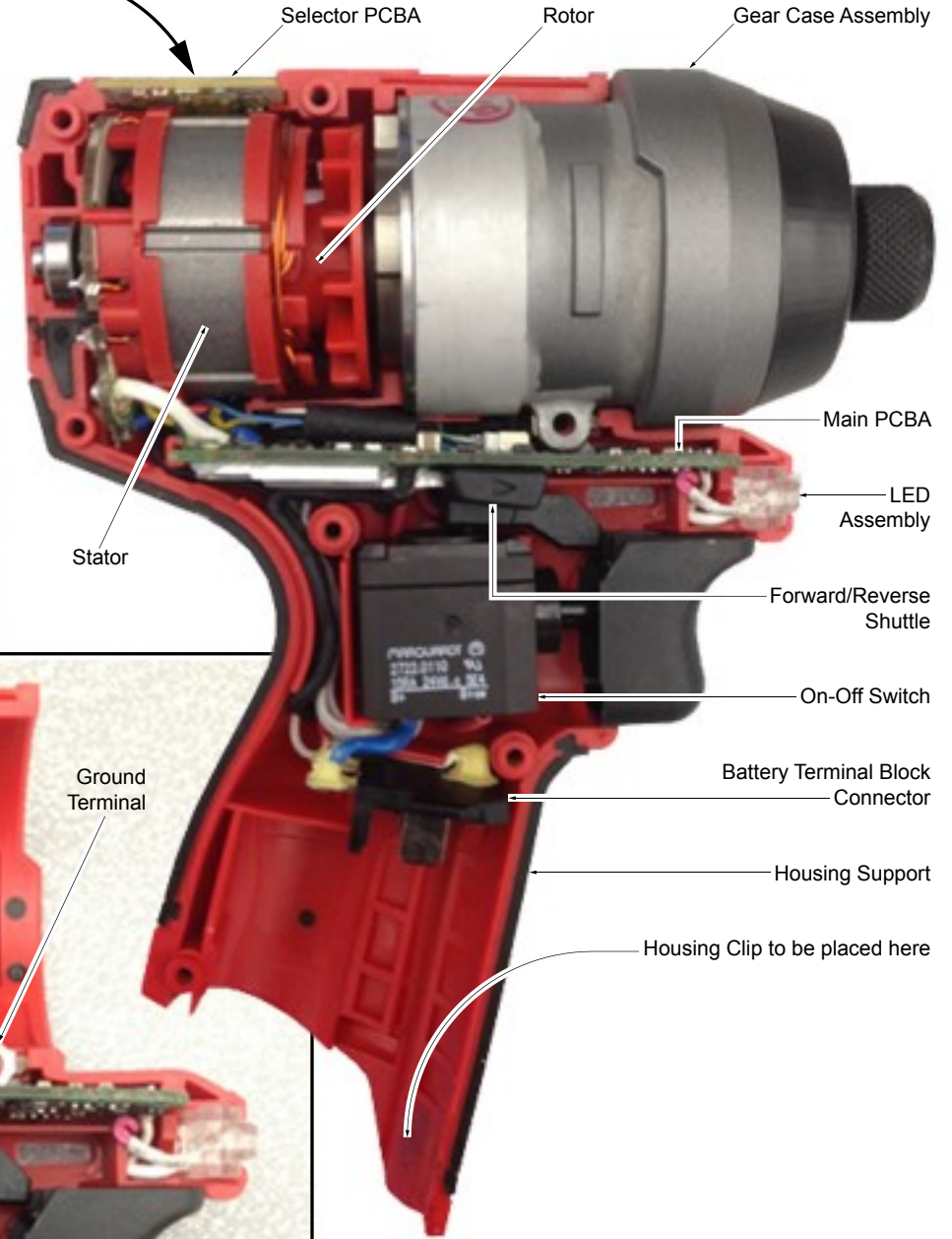
**When servicing, remove 90-95% of the existing grease prior to installing Type 'J'. Original grease maybe similar in color but not compatible with 'J'.**

**FIG. LUBRICATION (Type 'J' Grease, No. 49084220):**

- 10 Coat anvil opening in the front of the gear case with grease.
- 51 Lightly coat front washer surface of Pulse Unit (51) with grease, place a dab in the ball slot of anvil.
- 28,53 Lightly coat the inside gear teeth of ring gear end cap (53) and the gear teeth of the planet gears (28) with grease.
- 55 Coat pinion of rotor assembly (55) with grease.



Prior to installing Stator/Rotor Assemblies, place the Selector PCBA into the slotted Housing Support cavity. Press wires into channel as shown. Carefully place Stator/Rotor Assemblies into Housing Support, being sure all components are firmly and squarely seated.



Prior to installing the Gear Case Assembly, be sure all elements of the Electronics Assembly are seated properly (Stator, Main PCBA, Selector PCBA, On-Off Switch, LED Assembly and Battery Terminal Block Connector). Be sure the Grounding Terminal is in place and that all wires are pressed down into all wire traps and channels. Check to assure that wires will not interfere with moving parts.

Prior to installing the Housing Cover, place Forward/Reverse Shuttle onto On-Off Switch and through Housing Support opening. Check to assure that wires will not be pinched.

Secure the Housing Cover to the Housing Support with seven M3 x 16mm ST T-10 Screws. Be sure to replace the Housing Clip at the bottom of the battery opening.